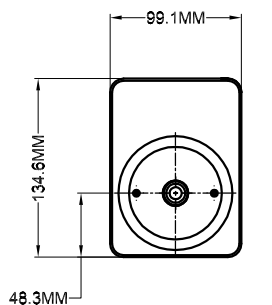


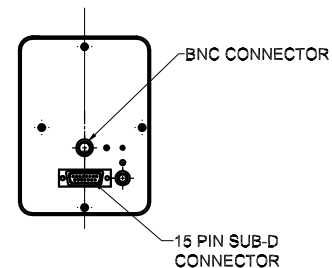
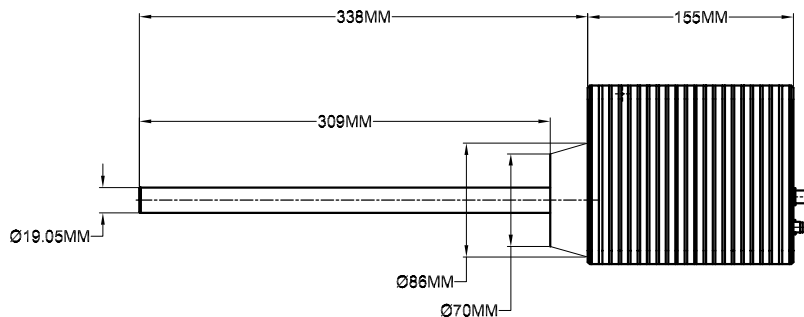
THE INFORMATION CONTAINED IN THIS DRAWING IS THE SOLE PROPERTY OF HITACHI HIGH-TECHNOLOGIES SCIENCE AMERICA INC. ANY REPRODUCTION IN PART OR WHOLE WITHOUT THE WRITTEN PERMISSION OF HITACHI HIGH-TECHNOLOGIES SCIENCE AMERICA, INC. IS PROHIBITED.

REVISIONS

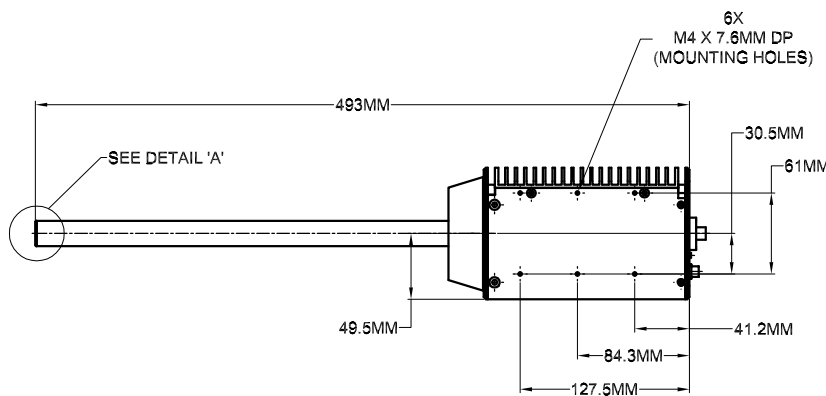
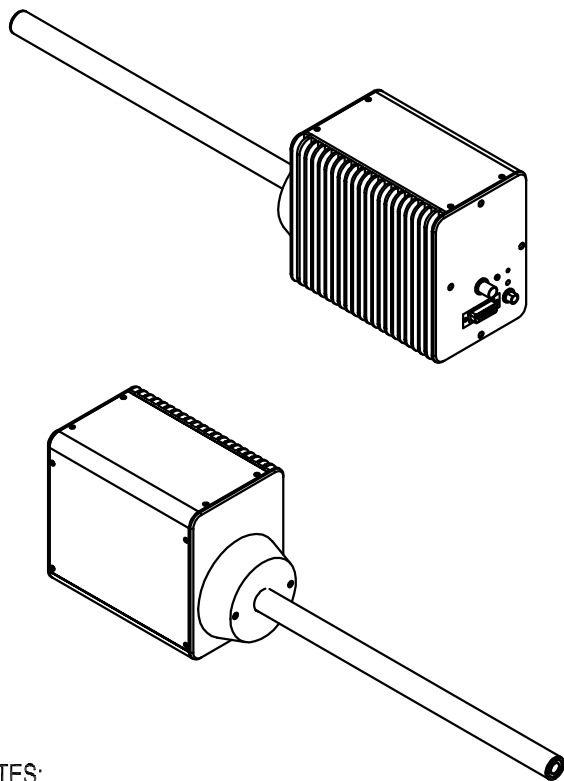
ZONE	REV.	DESCRIPTION	DATE	APPROVED
	D	ECO# 2013-0362	JAN 10,2013	



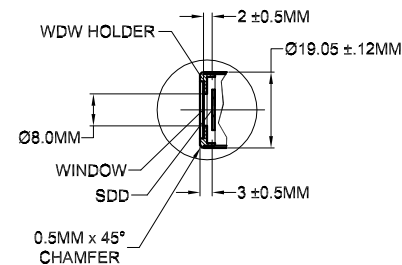
FRONT VIEW



REAR VIEW



BOTTOM VIEW



DETAIL 'A'

SCALE: 3X

NOTES:
MODEL NO. 578-VTX-EM

	VTX-EM STANDARD
NEXT ASSY	USED ON
APPLICATION	DO NOT SCALE DRAWING

ITM	QTY	VENDOR & PART NO.	PART NO.	DESCRIPTION OR NOMENCLATURE	MATERIAL
PARTS LIST					
UNLESS OTHERWISE SPECIFIED DIMENSIONS ARE IN MILLIMETERS TOLERANCES ARE:			THIRD ANGLE PROJECTION		
DECIMALS		ANGLE			
.XX +/- 0.1		1°			
.XXX +/- 0.05					
MATERIAL			APPROVALS	DATE	
FINISH			DRAWN	JAN 29,2013	
			CHECKED		
			RESP DESIGNER		
			APPROVED		
				Hitachi High-Technologies Science America, Inc. 19865 Nordhoff Street, Northridge, CA 91324, USA Tel: 1-818-280-0745 Fax: 1-818-280-0408	
				VTX-EM;STANDARD (LAYOUT DRAWING)	
SIZE		DWG. NO.		REV.	
		R00578		D	
SCALE: 1:1		CAD FILE: R00578		SHEET 1 OF 1	