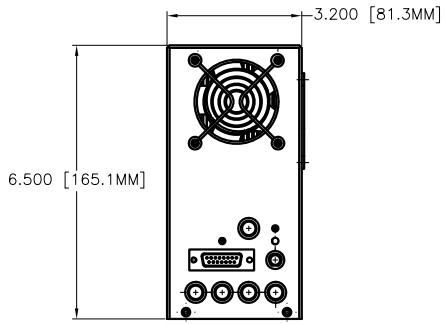


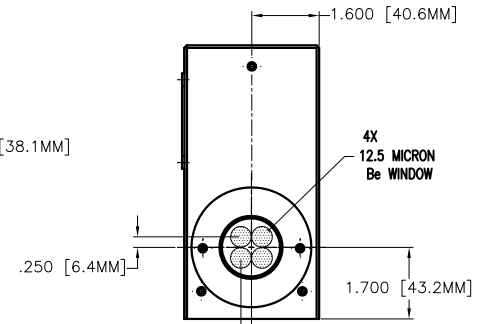
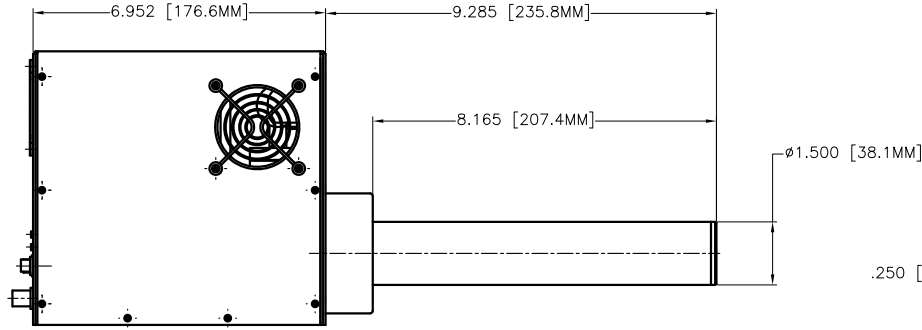
THE INFORMATION CONTAINED IN THIS DRAWING IS THE SOLE PROPERTY OF HITACHI HIGH-TECHNOLOGIES SCIENCE AMERICA INC. ANY REPRODUCTION IN PART OR WHOLE WITHOUT THE WRITTEN PERMISSION OF HITACHI HIGH-TECHNOLOGIES SCIENCE AMERICA, INC. IS PROHIBITED.

REVISIONS

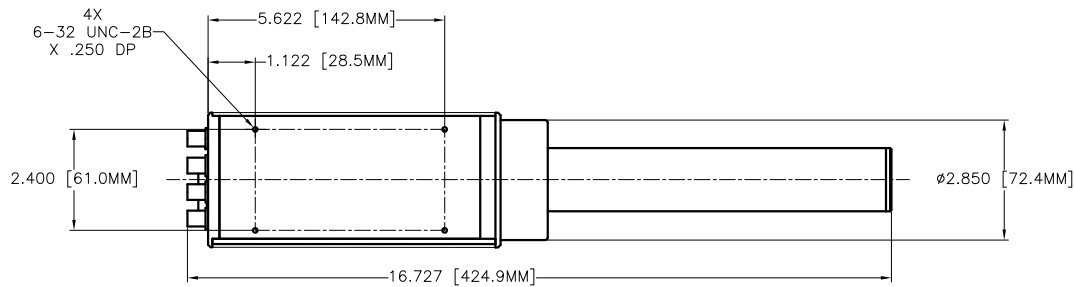
ZONE	REV.	DESCRIPTION	DATE	APPROVED
	B	ECO# 2013-0362	JAN 10,2013	



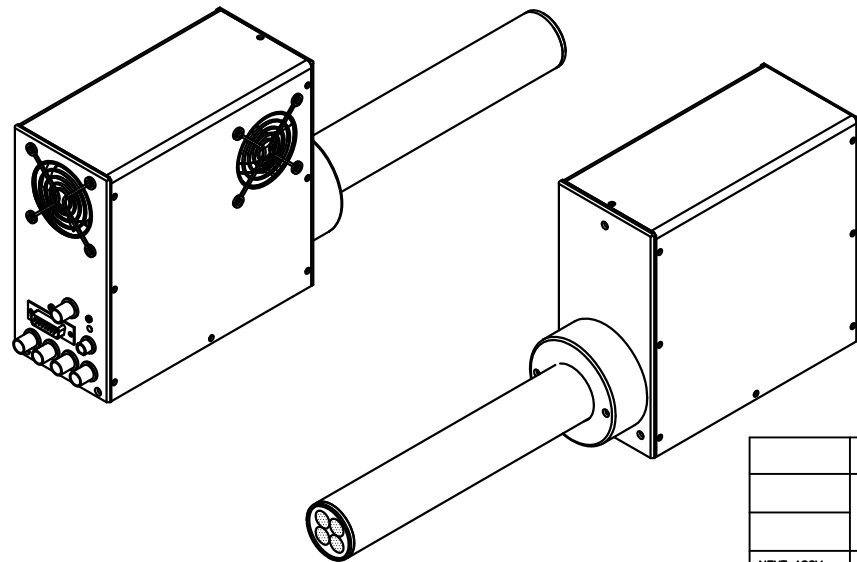
REAR VIEW



FRONT VIEW



BOTTOM VIEW



NOTES:  
MODEL NO: 267-VTX-ME4

ITM	QTY	VENDOR & PART NO.	PART NO.	DESCRIPTION OR NOMENCLATURE	MATERIAL
PARTS LIST					
UNLESS OTHERWISE SPECIFIED DIMENSIONS ARE IN INCHES TOLERANCES ARE:		THIRD ANGLE PROJECTION		<b>Hitachi High-Technologies Science America, Inc.</b> 19895 Nordhoff Street, Northridge, CA 91324, USA Tel: 1-818-280-0745 Fax: 1-818-280-0408	
DECIMALS	ANGLE				
.XX +/- 0.01	1°	APPROVALS	DATE	VORTEX ME4-STD (LAYOUT DRAWING)	
.XXX +/- 0.005		DRAWN			
		CHECKED		SIZE DWG. NO. R00267 REV. B	
		RESP DESIGNER			
NEXT ASSY	USED ON	APPROVED		SCALE: 1:1 CAD FILE: R00267 SHEET 1 OF 1	
APPLICATION	DO NOT SCALE DRAWING				

	ME4-STD
	USED ON
	APPLICATION