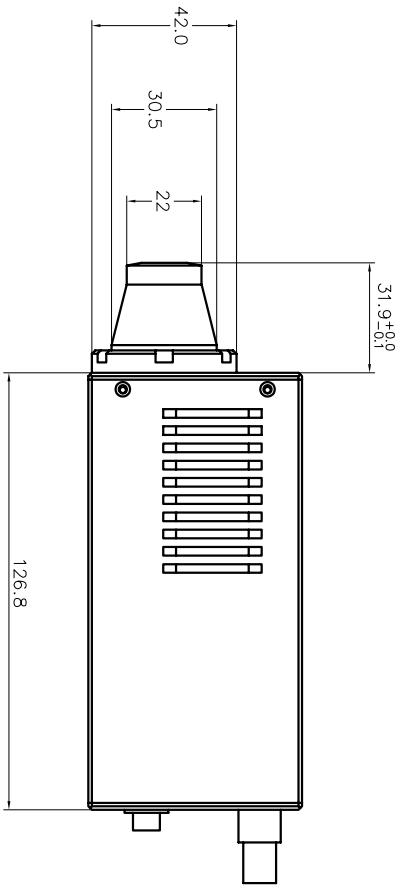
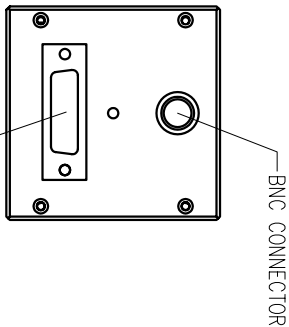


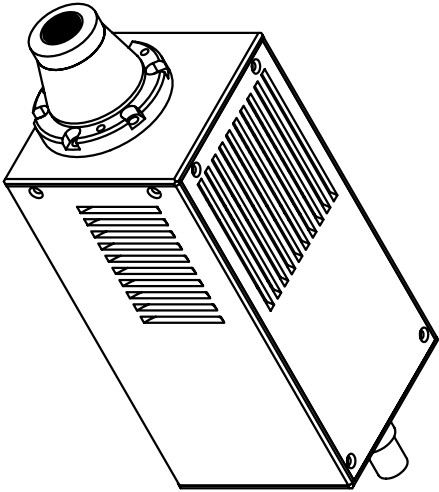
FRONT VIEW



SIDE VIEW



REAR VIEW



ISOMETRIC VIEW

NOTES:  
MODEL NO. 1348-VTX-METRO

VORTEX-METRO  
(DIMENSION CONTROL)