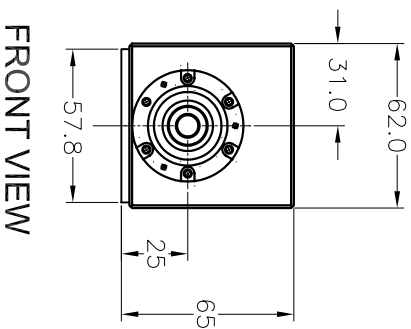
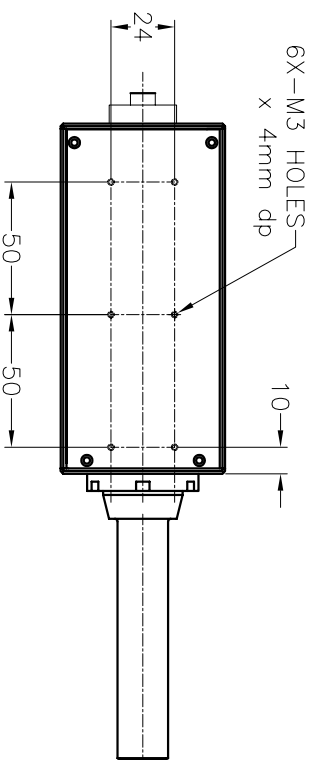


ISOMETRIC VIEW

NOTES:
MODEL NO. 1348-VTX-90EX



FRONT VIEW

VORTEX-90EX
(DIMENSION CONTROL)