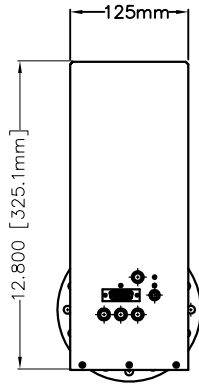


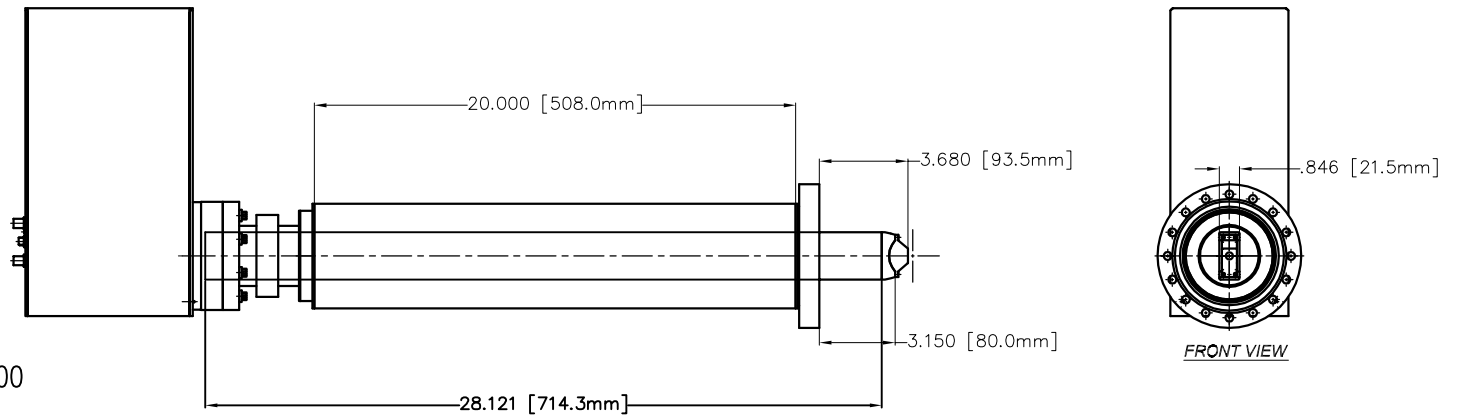
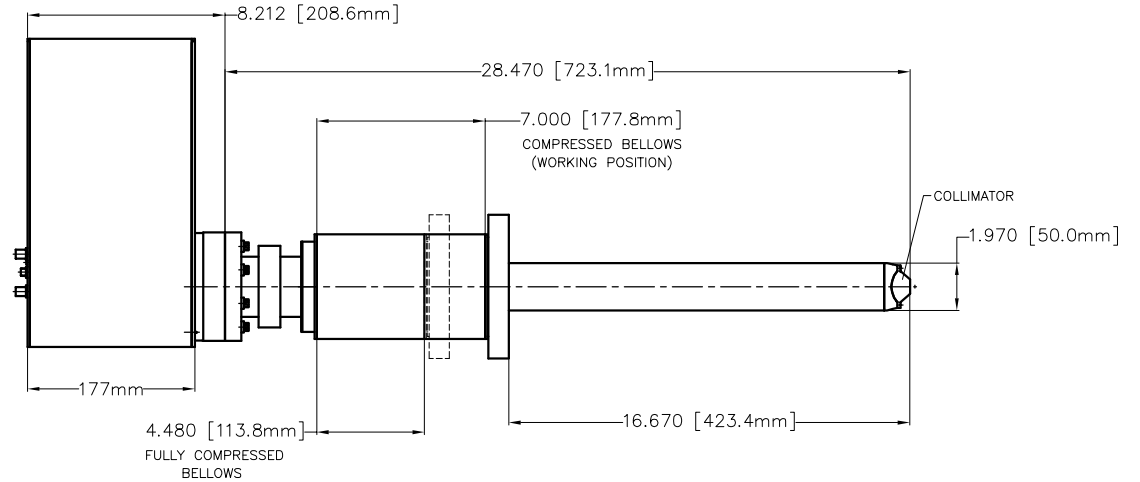
THE INFORMATION CONTAINED IN THIS DRAWING IS THE SOLE PROPERTY OF HITACHI HIGH-TECHNOLOGIES SCIENCE AMERICA INC. ANY REPRODUCTION IN PART OR WHOLE WITHOUT THE WRITTEN PERMISSION OF HITACHI HIGH-TECHNOLOGIES SCIENCE AMERICA, INC. IS PROHIBITED.

REVISIONS

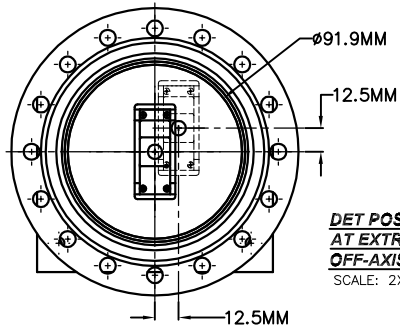
ZONE	REV.	DESCRIPTION	DATE	APPROVED
	X4	DEVELOPMENT DRAWING	AUG 27,2013	
	X5	MODIFY DRAWING	OCT 18,2013	
	A	PROD RELEASE PER ECO#2015-0421	MAY 15,2015	



REAR VIEW



NOTES:
MODEL NO. 1044-1-VTX-ME3-700



DET POSITION
AT EXTREME
OFF-AXIS
SCALE: 2X

ITM	QTY	VENDOR & PART NO.	PART NO.	DESCRIPTION OR NOMENCLATURE	MATERIAL
PARTS LIST					
UNLESS OTHERWISE SPECIFIED DIMENSIONS ARE IN INCHES TOLERANCES ARE:			THIRD ANGLE PROJECTION		
DECIMALS		ANGLE		 ©Hitachi High-Technologies Science America, Inc. 19865 Nordhoff Street, Northridge, CA 91324, USA Tel: 1-818-280-0745 Fax: 1-818-280-0408	
.XX +/- 0.01		1°			
.XXX +/- 0.005				APPROVALS	DATE
				DRAWN	B.GAPASIN JUN 11,2015
				CHECKED	
				RESP DESIGNER	
				APPROVED	
				ME3 -700 (LAYOUT DRAWING)	
				SIZE	DWG. NO. R01044-1
				SCALE: 1:1	CAD FILE: R01044-1
				SHEET 1 OF 1	

	ME3-700
NEXT ASSY	USED ON
APPLICATION	DO NOT SCALE DRAWING