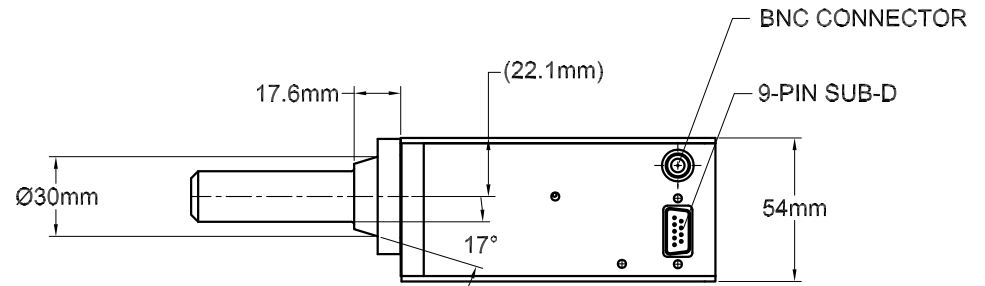
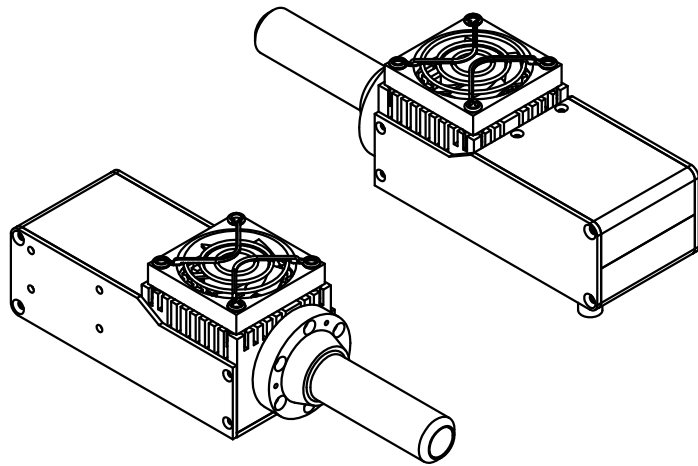
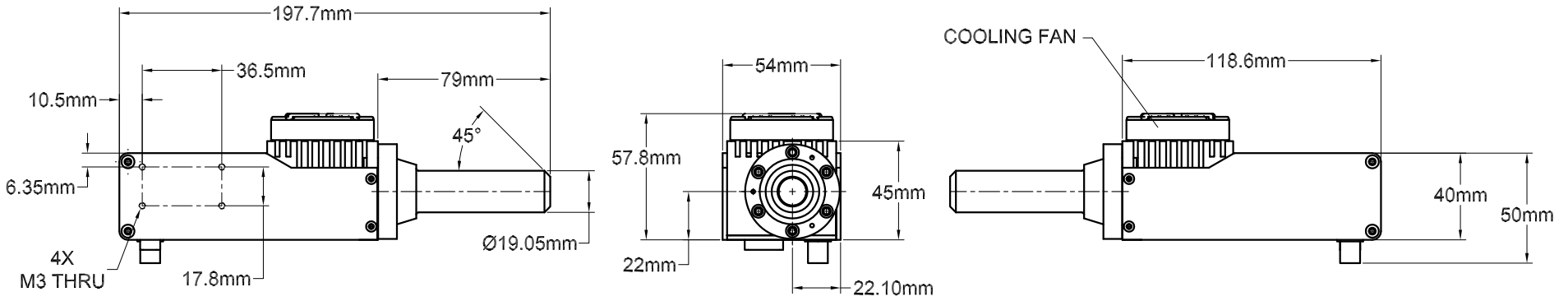


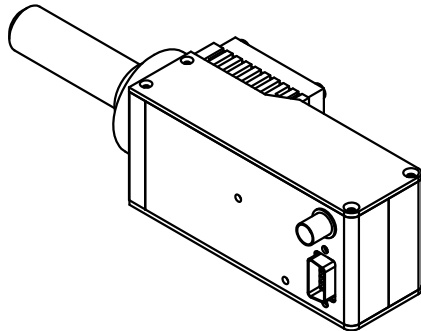
THE INFORMATION CONTAINED IN THIS DRAWING IS THE SOLE PROPERTY OF HITACHI HIGH-TECHNOLOGIES SCIENCE AMERICA INC. ANY REPRODUCTION IN PART OR WHOLE WITHOUT THE WRITTEN PERMISSION OF HITACHI HIGH-TECHNOLOGIES SCIENCE AMERICA, INC. IS PROHIBITED.

REVISIONS

ZONE	REV.	DESCRIPTION	DATE	APPROVED
	X5	CHANGE COMPANY NAME;PER ECO# 2013-0362	JAN 10,2013	
	A	PROD RELEASE PER ECO# 2014-0383	JAN 16,2014	



NOTES:  
MODEL NO. 955-VTX-60EZ



ITM	QTY	VENDOR & PART NO.	PART NO.	DESCRIPTION OR NOMENCLATURE	MATERIAL
<b>PARTS LIST</b>					
UNLESS OTHERWISE SPECIFIED DIMENSIONS ARE IN MILLIMETERS TOLERANCES ARE:		THIRD ANGLE PROJECTION			
DECIMALS	ANGLE				
.XX +/- 0.1	1°	APPROVALS	DATE	<b>VTX 60EZ (LAYOUT DRAWING)</b>	
.XXX +/- 0.05		DRAWN	JAN 16,2014		
		CHECKED			
		RESP DESIGNER			
NEXT ASSY	USED ON	APPROVED		SIZE	DWG. NO. R00955
APPLICATION	DO NOT SCALE DRAWING			SCALE: 1:1	CAD FILE: R00955
				SHEET	1 OF 1

8 7 6 5 4 3 2 1

8 7 6 5 4 3 2 1